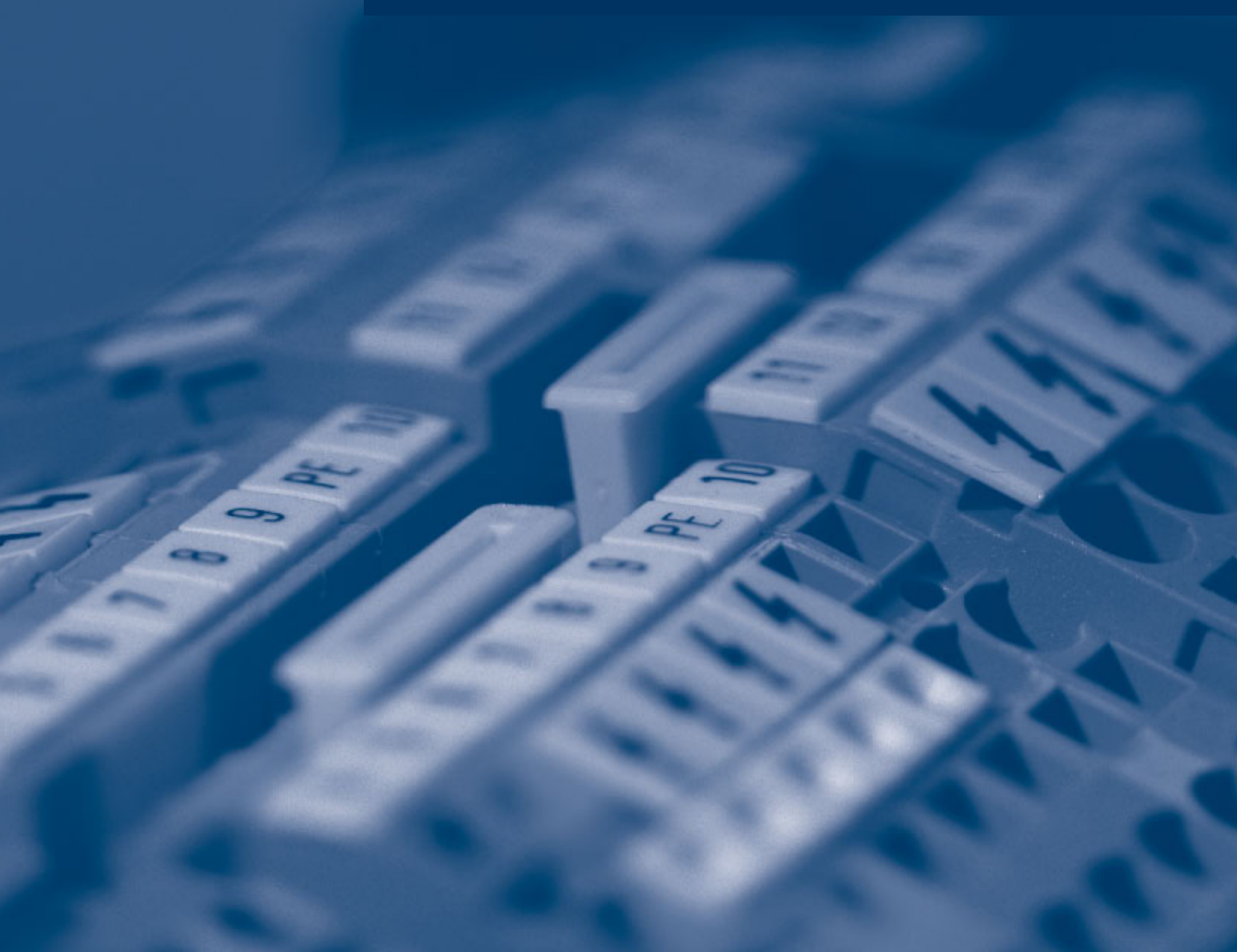
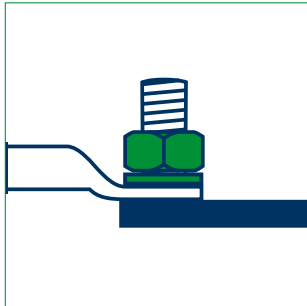


CONTA-CONNECT **SUPPLEMENTS**

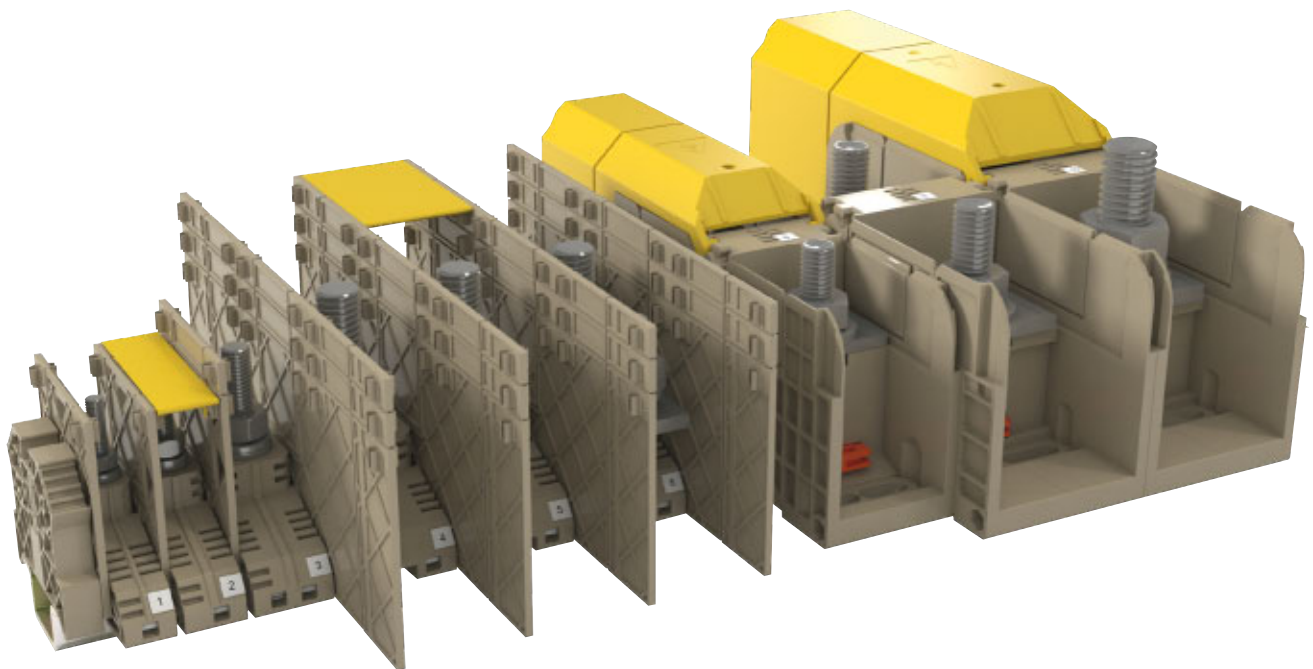


High-power stud terminals HSKG



The newest generation of stud terminals from **CONTA-CLIP** offers secure connections for all energy-transmitting applications. Depending on the wire cross-section, the **HSKG** stud terminals can be used with M6, M8, M10, M12 and M16 threaded studs. The rated current is from 125 A to 520 A with a rated voltage of 1000 V. The wire connection range is from 2.5 mm² to 300 mm². Wires with crimped cable lugs are applied to threaded bolts and then connected securely to the busbar by tightening the hex nut. Optimal security is guaranteed by the low voltage drop and by the use of self-extinguishing material with a V0 (UL94) flammability rating.

When used together with the **ADH** hinged covers, the **HSKG** stud terminals provide outstanding finger and touch protection. The **ADH** cover is easy to mount; it simply snaps into the side walls of the stud terminals as it is closed. In this quick and reliable way, touch-safe protection of the terminal points is always guaranteed.



Terminal holders and covers made from Polyamide 6.6 V0

- Self-extinguishing, UL94-V0 flammability class
- Creepage-current protected, CTI = 600
- Temperature resistance: -40° to +120°C
- Spec. contact resistance: 10¹³ Ohm/cm
- Spec. surface resistance: 10¹⁵ Ohm/cm
- Temp. index, mechanical: 120°C (at 0.8 mm)
- Temp. index, electrical: 120°C (at 0.8 mm)
- Relative temperature index, electrical: 130°C (at 0.8 mm)
- Pollutant-free

Standards

The following standard terminal block requirements are fulfilled:

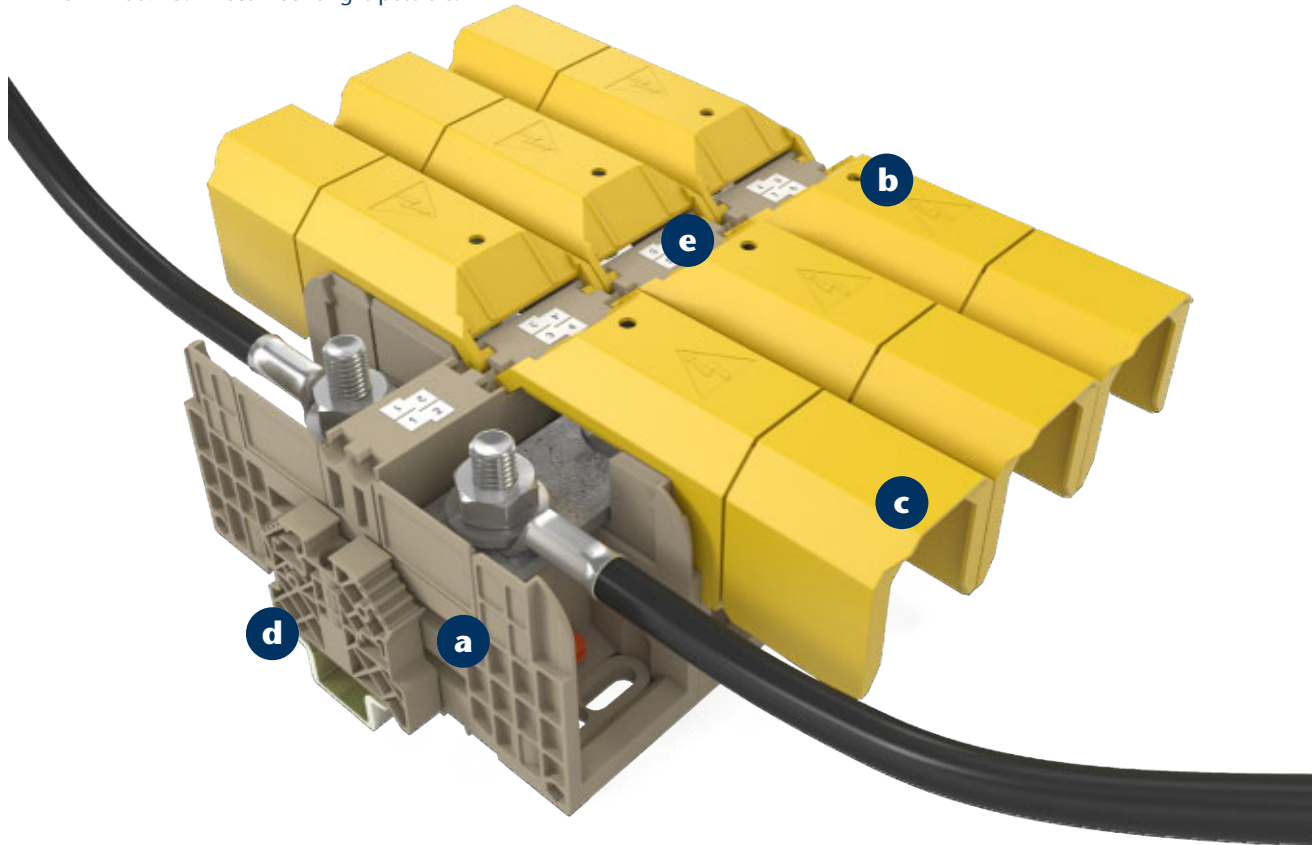
- EN 60947-7-1
- EN 50124-1
- DIN EN 61373

Stud connection system HSKG

Features

- a Base terminal HSKG**
CONTA-CLIP stud terminals can be arranged as required on standard **TS 35** DIN rails in accordance with EN 60715. Direct mounting is possible.

- b Measurement port**
The **ADH** has an opening used to measure the voltage.



- c Covers ADH**
The **ADH** covers can be snapped on, simply and securely, to the matching clips in the partitions. In this quick and reliable way, touch-safe protection of the terminal points is always guaranteed.

- d End stop ES 35/K/ST**
The **ES 35/K/ST** end stops grip both sides of the DIN rail with steel clamps. They are a secure method of mechanical attachment in terminal rail design. The plastic PA 6.6 housing of the brackets encapsulates the metal parts.

Handling

Stud terminals:

Cable lugs are crimped onto the wire ends to facilitate the connection. The cable lugs are placed on the studs between the combi-nut and the busbar. The cable lugs should be aligned opposite each other when there are two lugs per stud. When the nut is tightened, the flats of the cable lugs clamp together and a secure connection is ensured.

- e Labelling | Marking**
The stud terminals have a labelling surface which is optimally suited for **CONTA-CLIP's** **PMC** Pocket-Maxicard standard marking systems.

Stud connection system HSKG

The features in detail

Stud connection

- Stud sizes: M6, M8, M10, M12 to M16
- Wire with cable lug acc. to DIN 46234: up to 300 mm²
- Two cable lugs can be connected per stud

Easy to use

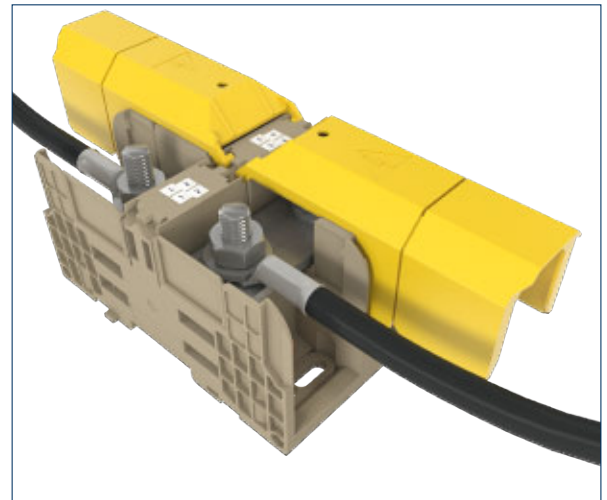
- Place cable lugs on the stud
- By tightening the steel nut, the cable lugs forms a contact with the other cable lug or with the busbar

Secure contacts

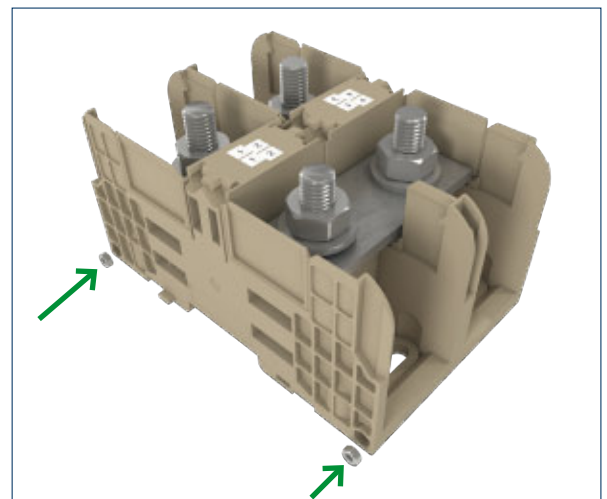
- Maintenance-free; subsequent tightening of the nut is not needed
- High contact strength and vibration resistance provided by the safety/spring washer and combi-nut
- Direct contact of cable lugs, or contact via copper busbar

Mounting options

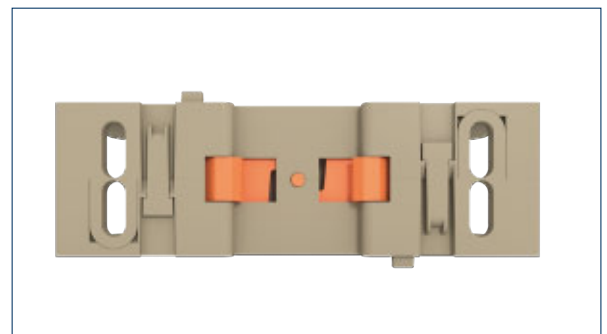
- Sliding lock on both sides: can be attached to TS 35 DIN rail
- Direct mount possible using the integrated slots in the housing base



Connecting the wire



Additional bolting options



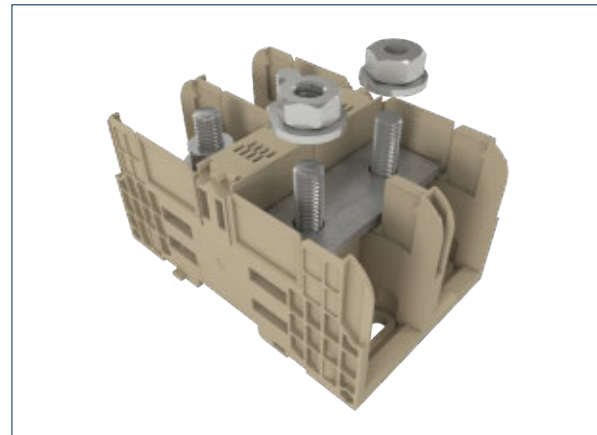
TS mount / direct mount

Stud connection system HSKG

Handling and accessories

Cross-connections

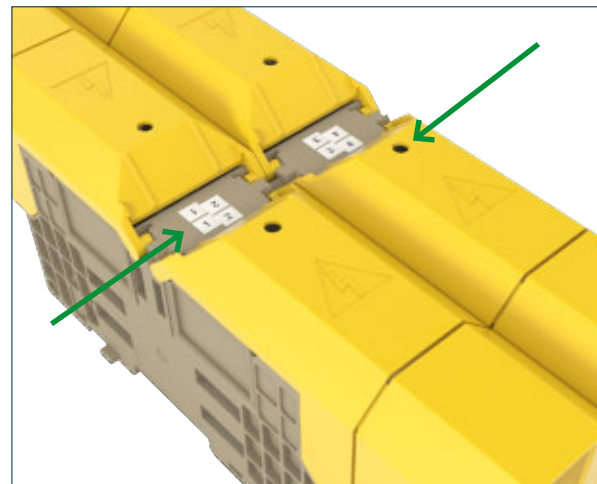
- 2 -pole and 3-pole version
- Possible to distribute potentials between the different sizes
- Designed for the rated current of the corresponding stud terminal
- Speedy distribution of potentials helps save time



Attaching the cross-connections

Labelling and testing

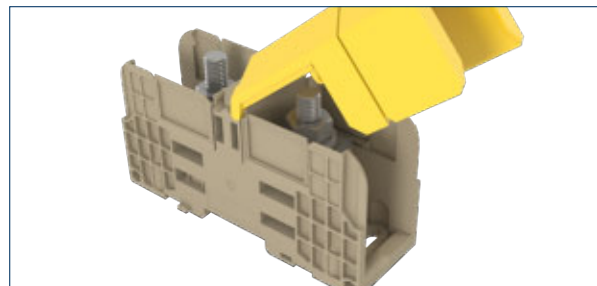
- Receptacles for standard markers
- Openings in the **ADH** covers for measuring voltage



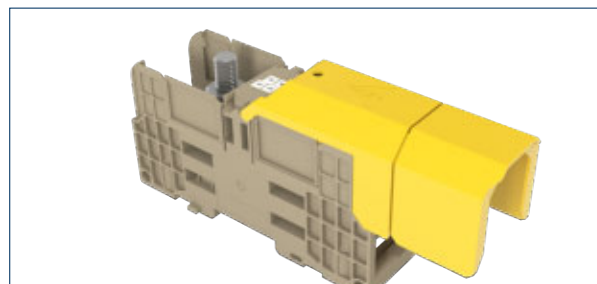
Marking options with the PMC and voltage measurement opening

Using the ADH covers

Individual **AH...** covers are available for each width of stud terminal. They are designed for the different sizes and the corresponding clearance and creepage distances. It is also possible to shorten the covers along pre-created breakage points. The **ADH** cover is attached by pressing the cover down onto the base terminal so that the cover snaps onto the terminal.



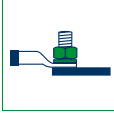
ADH open



ADH closed

High-power stud terminals HSKG

Stud connection system



- Foot can be snapped on TS 35 DIN rail
- Direct mount
- Stud connection
- Housing made from polyamide 6.6 UL 94-V0

Connection diagram

Connection type

Size (L x W x H) with TS 35 x 7.5
 Size (L x W x H) with TS 35 x 7.5, including ADH on both sides

TYPE

Type Colour
Cat. no.

Colours available

Ratings

Rated voltage, V
 Rated current, A
 Rated cross-section, mm² | AWG
 Rated impulse voltage, kV | Contamination degree
 Flamm. class acc. to UL 94

Connection data

Clamping area, mm²
 Stud size

Clampable cable lug

DIN 46234 / 1 cable lug per side, mm²
 DIN 46234 / 2 cable lugs per side, mm²
 DIN 46235 / 1 cable lug per side, mm²
 DIN 46235 / 2 cable lugs per side, mm²
 Torque, Nm

Features

Material of insulated housing | Temperature range

Accessories

Cover profile ADH
Cat. no.
 Cover profile ADH
Cat. no.
 Cover profile ADH
Cat. no.
 QS cross-connection rail
Cat. no.
 QS cross-connection rail
Cat. no.
 End stop ES
Cat. no.
 Quick marking PMC SB
Cat. no.

Dimension diagram

HSKG 35/M6/B/B



Stud connection

107 x 27 x 51
 131 x 27 x 60

HSKG 35/M6/B/B BG
17170.2 Qty. 10

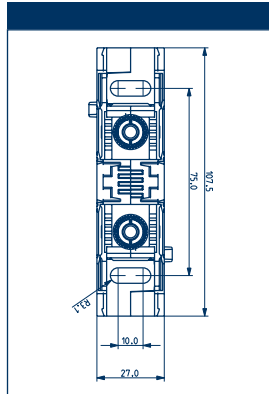
②
IEC* **UL*** **cUL***
 1000 1000 600
 125 115 130

35 | 14-2
 8 | 3
 V0
 2.5 - 50
 M6

2.5 - 50
 6 - 25
 3 - 6

PA 6.6 | -40 to +120°C

Qty.
 ADH 35 BG
17275.2 20
 ADH 35 BU
17275.5 20
 ADH 35 YE
17275.8 20
 QS 2/35/6
17276.0 10
 QS 3/35/6
17277.0 10
 ES 35/K/ST BG
2828.0 50
 PMC SB 6/50 WH
4702.7 500



HSKG 70/M8/B/B



Stud connection

132 x 32 x 61
 180 x 32 x 70

HSKG 70/M8/B/B BG
17035.2 Qty. 10

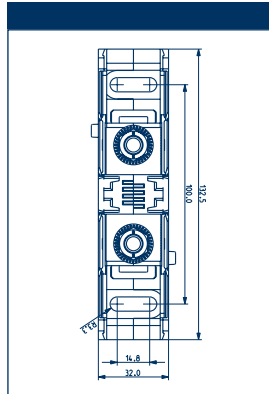
②
IEC* **UL*** **cUL***
 1000 1000 600
 192 175 170

70 | 14-00
 8 | 3
 V0
 2.5 - 95
 M8

2.5 - 95
 16 - 70
 6 - 12

PA 6.6 | -40 to +120°C

Qty.
 ADH 70 BG
17268.2 20
 ADH 70 BU
17268.5 20
 ADH 70 YE
17268.8 20
 QS 2/70/8
17269.0 10
 QS 3/70/8
17270.0 10
 ES 35/K/ST BG
2828.0 50
 PMC SB 6/50 WH
4702.7 500



HSKG 120/M10/B/B



Stud connection

133 x 42 x 72
 226 x 42 x 80

HSKG 120/M10/B/B BG
17023.2 Qty. 5

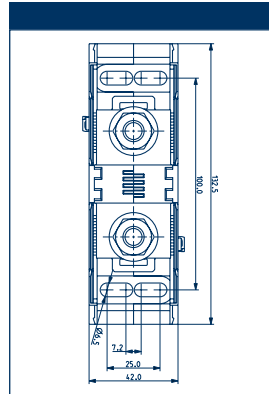
②
IEC **UL** **cUL**
 1000 1000 600
 269 310 310

120 | 10-Kcmil 250
 8 | 3
 V0
 ≤ 120
 M10

6 - 150
 6 - 120
 16 - 150
 16 - 120
 10 - 20

PA 6.6 | -40 to +120°C

Qty.
 ADH 120 BG
17025.2 10
 ADH 120 BU
17025.5 10
 ADH 120 YE
17025.8 10
 QS 2/120/10
17241.0 10
 QS 3/120/10
17242.0 10
 ES 35/K/ST BG
2828.0 50
 PMC SB 6/50 WH
4702.7 500



*Approval applied for!

High-power stud terminals HSKG



Stud connection
164 x 55 x 78
288 x 55 x 90

Stud connection
164 x 55 x 86
288 x 55 x 90

Qty.
HSKG 185/M12/B/B BG
17024.2 5

Qty.
HSKG 300/M16/B/B BG
17027.2 5

IEC	UL	cUL
1000	1000	600
353	380	360
185 10-Kcmil 500		
8 3		
V0		
≤ 185		
M12		
10 - 240		
10 - 185		
25 - 240		
25 - 185		
14 - 31		

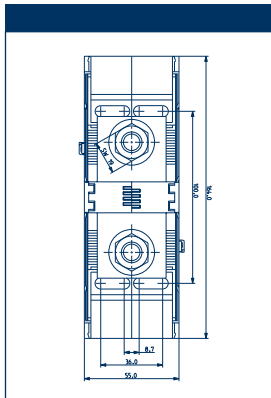
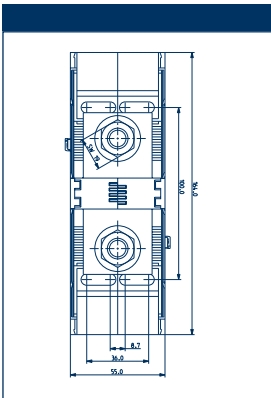
IEC	UL	cUL
1000	1000	600
520	500	510
300 10-Kcmil 600		
8 3		
V0		
≤ 300		
M16		
25 - 240		
50 - 240		
50 - 300		
50 - 240		
25 - 60		

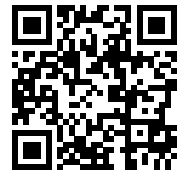
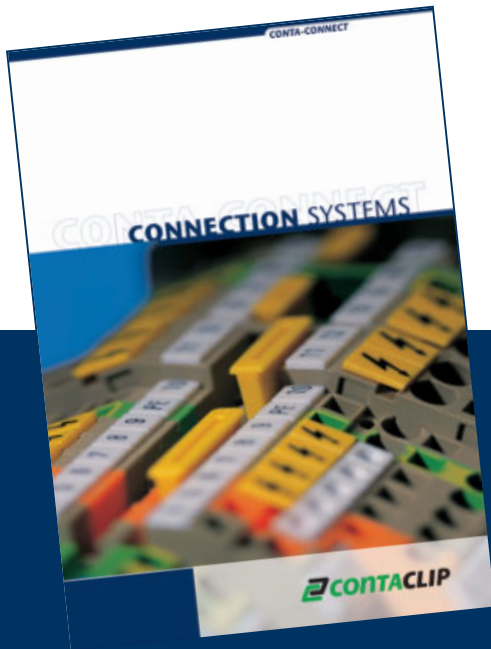
PA 6.6 | -40 to +120°C

PA 6.6 | -40 to +120°C

	Qty.
ADH 185/300 BG 17123.2	10
ADH 185/300 BU 17123.5	10
ADH 185/300 YE 17123.8	10
QS 2/185/12 17243.0	10
QS 3/185/12 17244.0	10
ES 35/K/ST BG 2828.0	50
PMC SB 6/50 WH 4702.7	500

	Qty.
ADH 185/300 BG 17123.2	10
ADH 185/300 BU 17123.5	10
ADH 185/300 YE 17123.8	10
QS 2/300/16 17245.0	10
QS 3/300/16 17246.0	10
ES 35/K/ST BG 2828.0	50
PMC SB 6/50 WH 4702.7	500



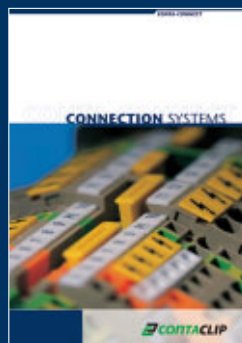


www.conta-clip.com

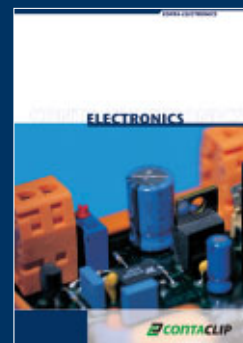
This document contains supplemental information describing our connection system product portfolio.

For the entire product range, please refer to our main catalogue CONTA-CONNECT, or check our web page at www.conta-clip.com.

CONTA-CONNECT
[Connection Systems]



CONTA-ELECTRONICS
[Electronics]



CONTA-CON
[PCB Connectors]

