



ATEX and IECEx SWITCH DISCONNECTORS

Switch Disconnectors Regolus Ex - SQ and SE Series - EQUIPMENT for potentially explosive atmospheres

II 2D Ex tb IIIC T85°C Db | Zone 21-22 (Dust) | Tamb = -20°C/+55°C | IP65



New switch disconnectors Regolus Ex for command and emergency in aluminum box painted in Grey RAL 7035 and Yellow PANTONE 102C, suitable for use in ZONE 21 and 22 (D) with rated current of 25-32-40-63A. Standard Reference: EN 80079-34, EN 60947-3, EN 61241-0, EN60079-0, EN60079-31

Directive: ATEX 94/9/CE.

The ATEX mark (ATmospheres EXplosives) refers to two European directives concerning the risk of deflagration in potentially explosive atmospheres.

AREA CLASSIFICATION "Dust"

Zone 21: area in which an explosive atmosphere in the form of a cloud of combustible dust in air is likely to occur occasionally in normal operation.

Zone 22: area in which an explosive atmosphere in the form of a cloud of combustible dust in air is not likely to occur in normal operation but, if it does occur, will persist for a short period only.

TYPE OF PROTECTION: Protection by enclosures (Ex "tb")

Marking Ex ta/tb/tc Da/Db/Dc II 1/2/3 D in accordance with IEC 60079-0; 60079-31

Principle:

The enclosure is sealed so tight, that no combustible dust can enter. The surface temperature of the external enclosure is limited.

Important design parameters:

- Minimum degree of protection in accordance with IEC/EN 60529 ≥ IP 6X
- Consideration of dust accumulating on the surface and reduction of permissible surface temperature with dust layer ≥ 5 mm are possible

Applications:

- Various equipment where during normal operation sparks, electric arcs or hot surfaces occur and complex industrial designs (controllers) which by means of this type of protection can be utilized in the potentially explosive atmosphere.

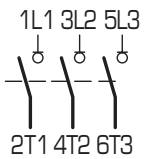
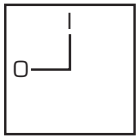


ATEX and IECEx SWITCH DISCONNECTORS

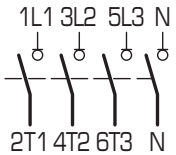
Switch Disconnectors Regulus Ex - SQ and SE Series - EQUIPMENT for potentially explosive atmospheres

	PRODUCT CODE	POLES NUMBER	BOX ENCLOSURE	Ithe	AC 22A/690V	AC 23A/400V
SQ Series	SQ025003DEX09	3P	EX09 Grey	32	25	25
	SQ025003DEX10	3P	EX10 Yellow	32	25	25
	SQ032003DEX09	3P	EX09 Grey	40	32	32
	SQ032003DEX10	3P	EX10 Yellow	40	32	32
	SQ040003DEXB9	3P	EXB9 Grey	63	63	50
	SQ040003DEXB0	3P	EX10 Yellow	63	63	50
	SQ063003DEXB9	3P	EXB9 Grey	80	80	75
	SQ063003DEXB0	3P	EX10 Yellow	80	80	75
SE Series	SE630003BEXB9	3P	EXB9 Grey	63	63	40
	SE630004BEXB9	4P	EXB9 Grey	63	63	40
	SE630003BEXB0	3P	EX10 Yellow	63	63	40
	SE630004BEXB0	4P	EX10 Yellow	63	63	40
	SE800003BEXB9	3P	EXB9 Grey	80	80	55
	SE800004BEXB9	4P	EXB9 Grey	80	80	55
	SE800003BEXB0	3P	EX10 Yellow	80	80	55
	SE800004BEXB0	4P	EX10 Yellow	80	80	55
	SE100003BEXB9	3P	EXB9 Grey	85	85	67
	SE100004BEXB9	4P	EXB9 Grey	85	85	67
	SE100003BEXB0	3P	EX10 Yellow	85	85	67
	SE100004BEXB0	4P	EX10 Yellow	85	85	67

DIAGRAMS

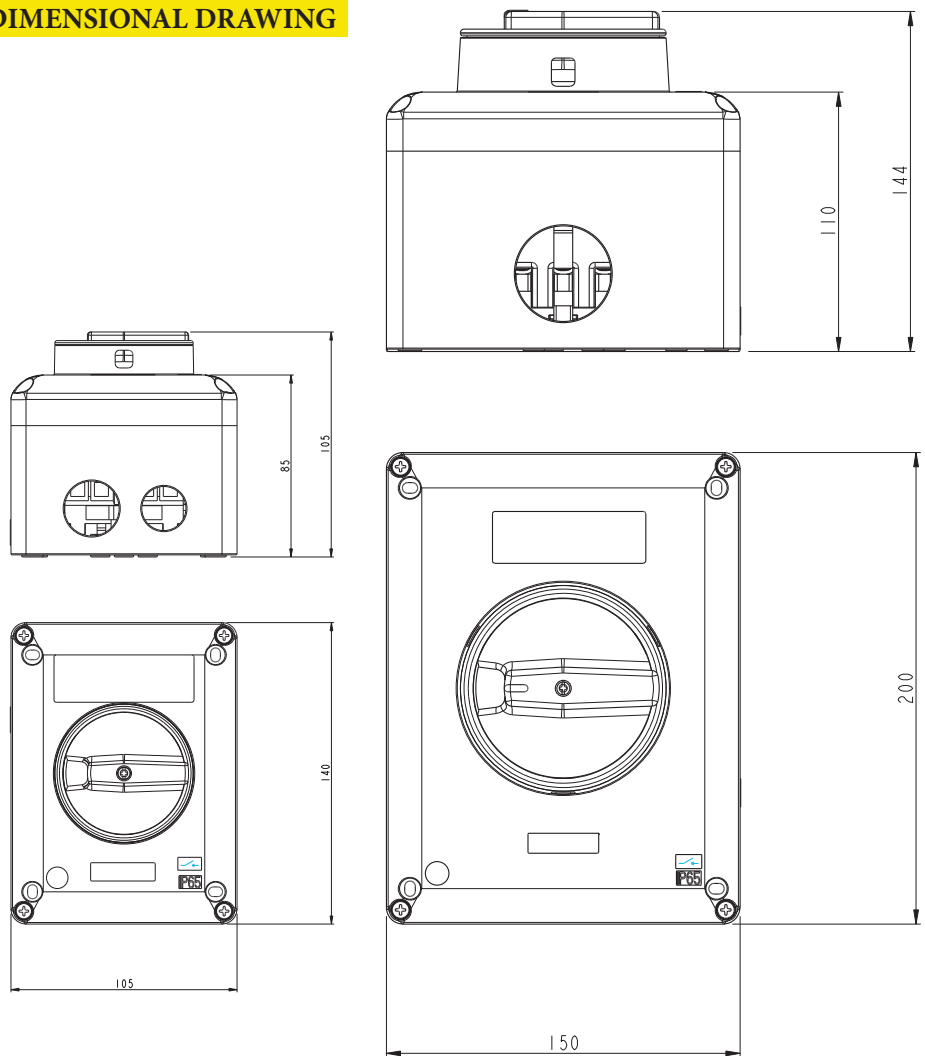


3 POLES



4 POLES

DIMENSIONAL DRAWING



SQ 025-032

SQ 040-063 and SE 63-80-100

MARKING AND APPROVALS

